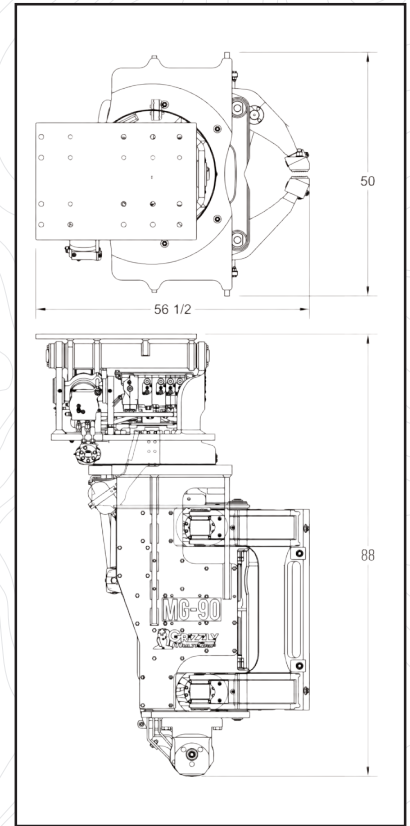


# TECHNICAL DATA

## SPECIFICATIONS

MODEL	MG-60	MG-90
Excavator Class (Tons)	22-30	30-45
Oil Flow (L/min / GPM)	170 / 45	227 / 60
Weight (kg/Lbs)	2450 / 5400	3266 / 7200
Maximum Pressure Settings (bar/PSI)	310 / 4500	310 / 4500
Frequency (RPM)	2800	2800
Centrifugal Force (kN/Tons)	588 / 60	883 / 90
Number of Elastomers	10	16
Machine Height (mm/Inches)	1829 / 72	2235 / 88
Rotation / Tilt Angle (Degrees)	360 / 40	360 / 40
Number of Eccentrics	2	4

\*Specifications subject to change without notice. Patents pending.



MG-90 model illustrated

# SUITABLE PILES



### SHEET PILES

Width: 400 - 1200 mm (16" - 48")  
Depth: 265 mm (10")



### H-BEAMS

Size: HP8 (PB200) - HP14 (HP360)



### TUBES

100 - 457 mm (4" - 18")

### MG - 60

Pile length/weight

6 m (20 ft) / 2350 kg (5181 lbs)  
12 m (40 ft) / 1550 kg (3417 lbs)  
16 m (52 ft) / 1200 kg (2646 lbs)

### MG - 90

Pile length/weight

6 m (20 ft) / 2850 kg (6283 lbs)  
12 m (40 ft) / 1950 kg (4299 lbs)  
16 m (52 ft) / 1350 kg (2975 lbs)



Supporting our customers' uptime is at the heart of our business philosophy.

Made in Canada

1840, boul. Marcotte  
Roberval, Quebec Canada  
[www.gilbert-tech.com](http://www.gilbert-tech.com)

T 418.275.5041  
F 418.275.2624  
[info@gilbert-tech.com](mailto:info@gilbert-tech.com)

